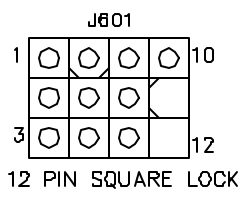
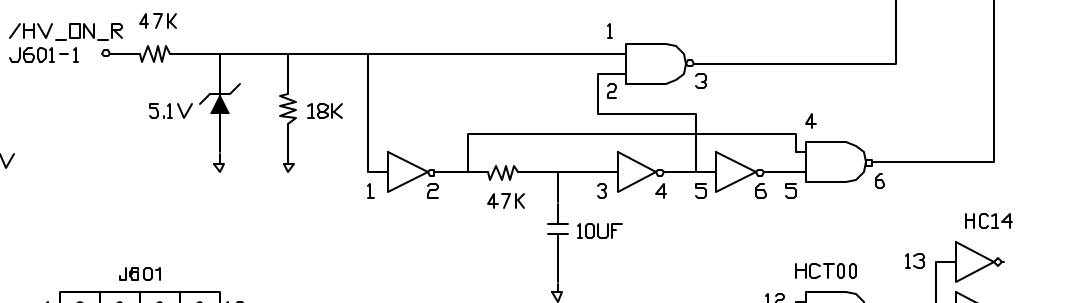
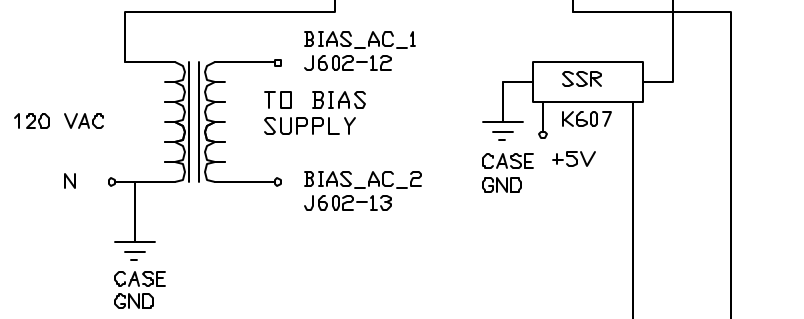
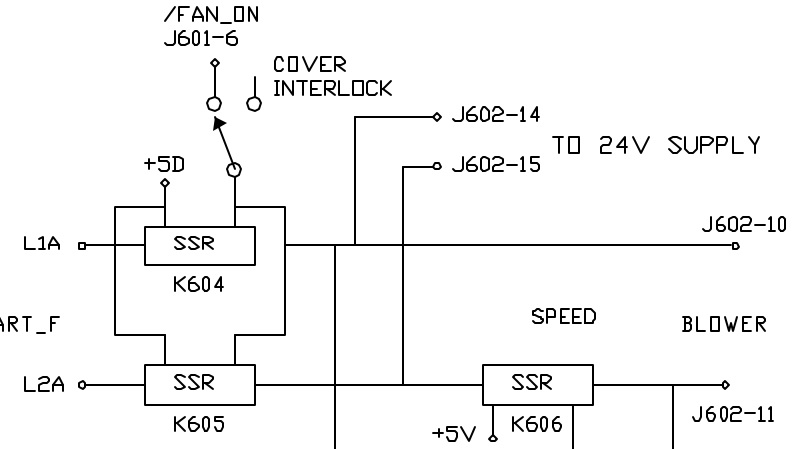
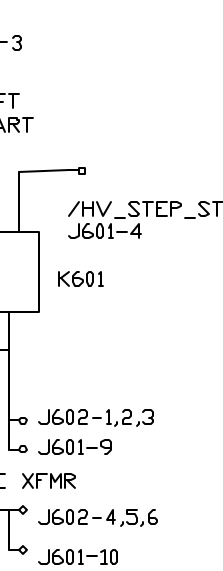
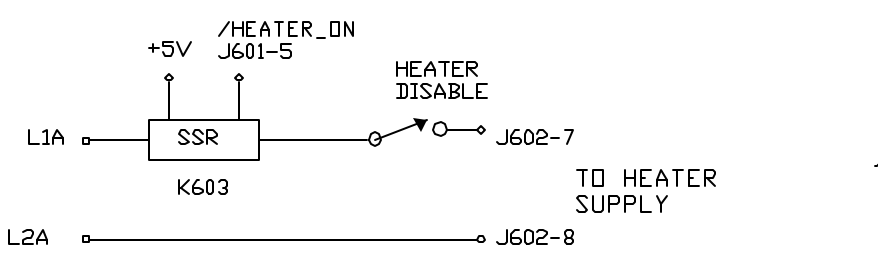
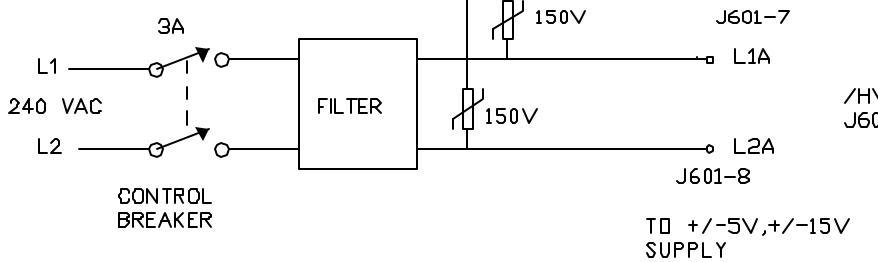
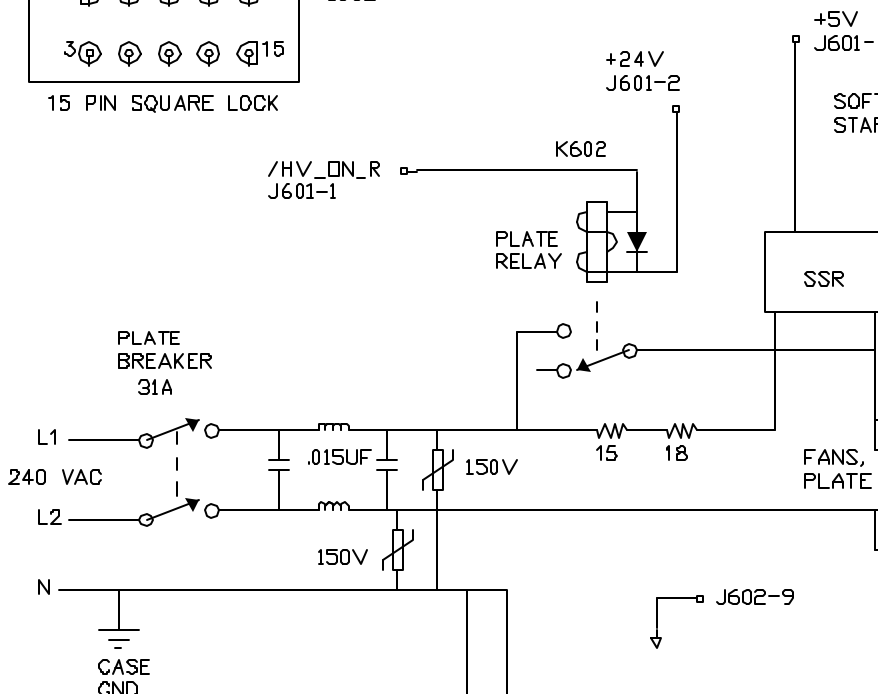
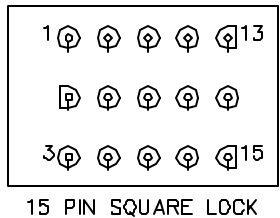
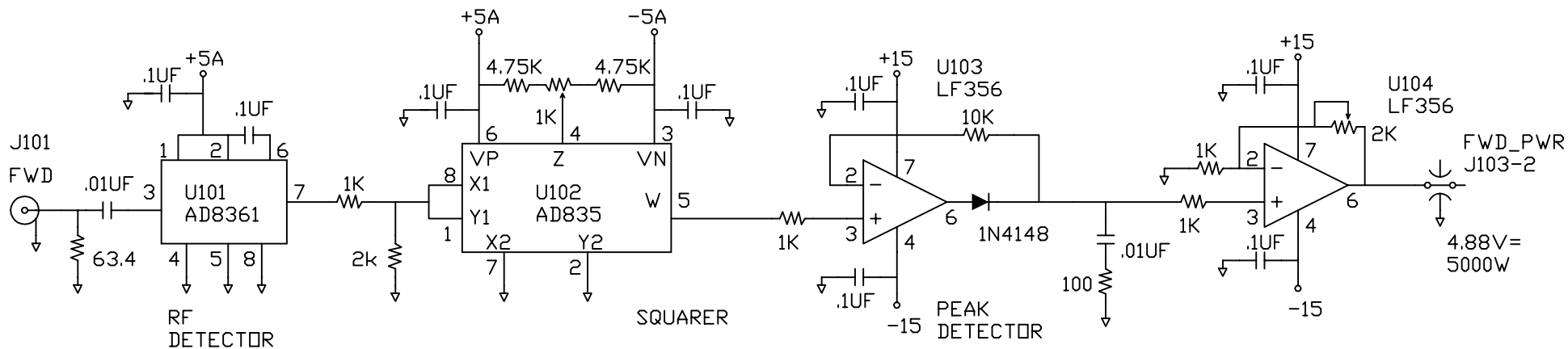


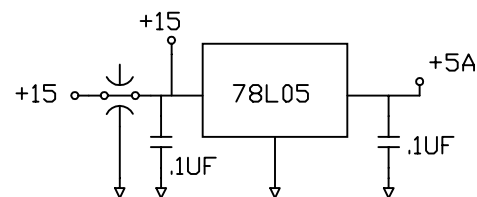
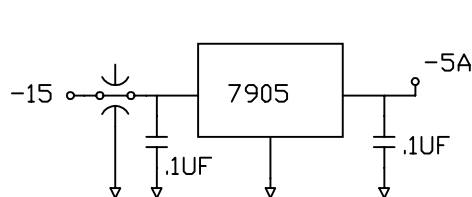
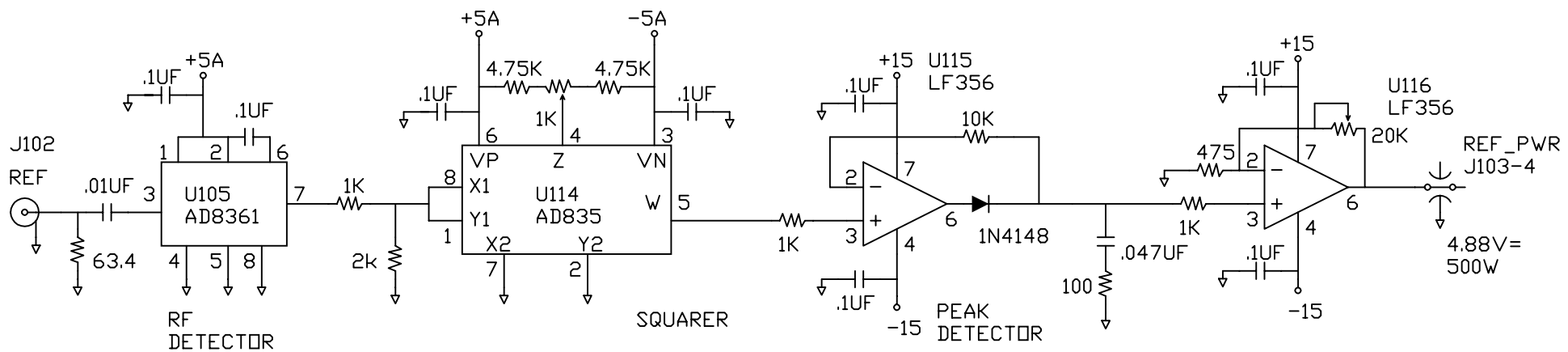
TOLERANCES	SCALE 1-1	DO NOT SCALE	FINISH	DRAWN BY 12 JAN 02	DATE
	MATERIAL			CHECKED BY	DATE
TITLE YC156 AMP SYSTEM INTERCONNECT				DWG SZ A	SHEET 1 OF 1
				DRAWING NUMBER SYSTEM CCONNECT.DWG	REV



TOLERANCES	SCALE 1-1	DO NOT SCALE	FINISH	DRAWN BY 4 SEPT 03	DATE
	MATERIAL			CHECKED BY	DATE
TITLE YC156 AMP AC MODULE				DWG SZ A	SHEET 1 OF 1
				DRAWING NUMBER AC MODULE SCH	REV DWG

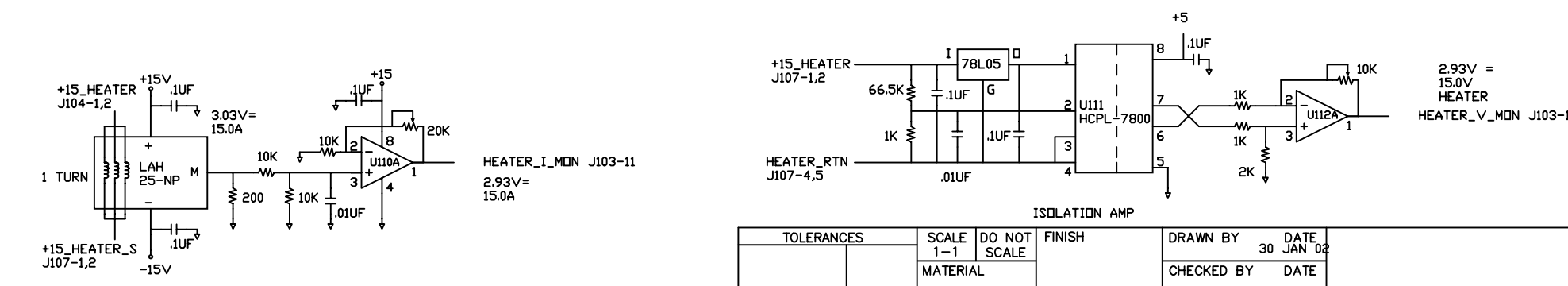
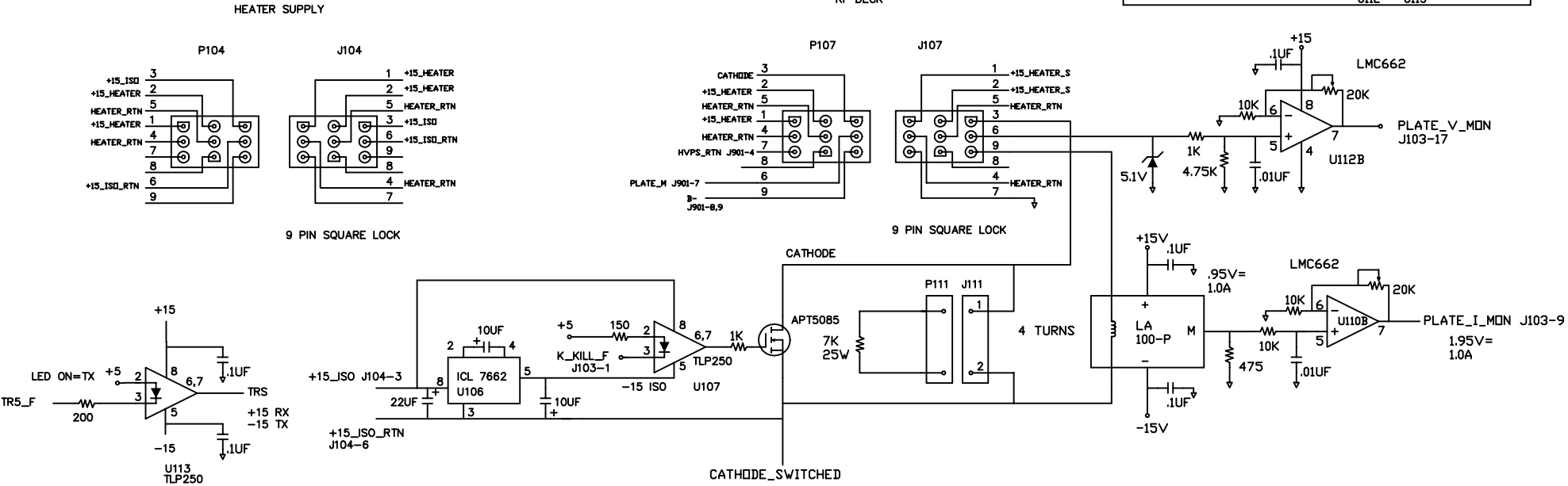
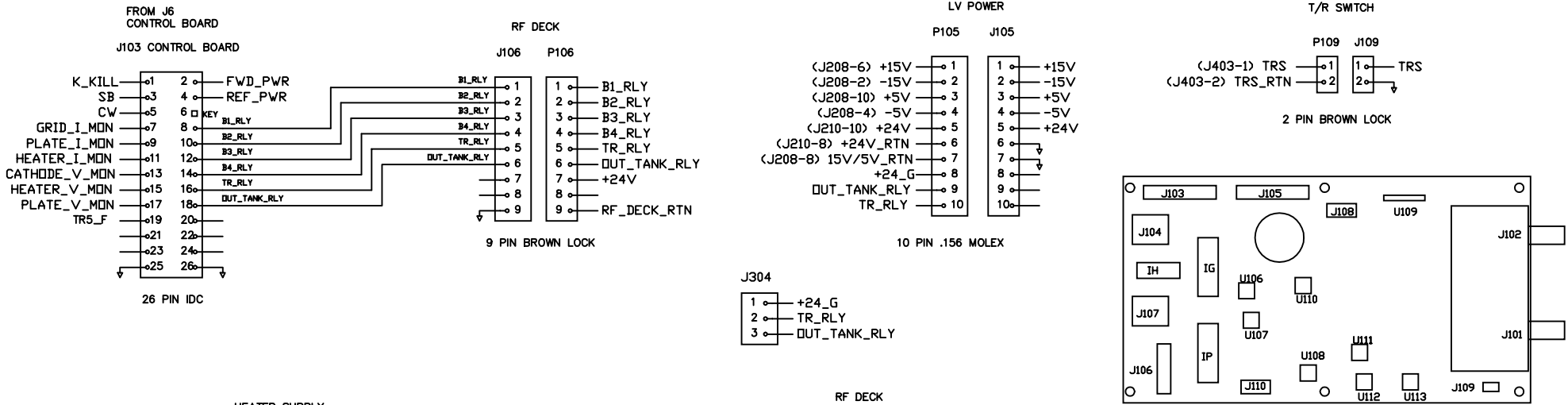


FROM
COUPLERS



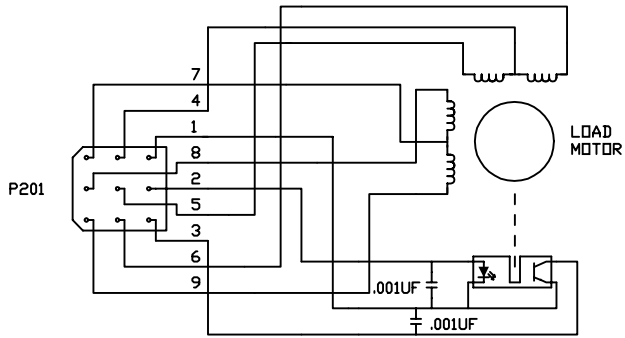
SHIELD BOX

TOLERANCES	SCALE 1-1	DO NOT SCALE	FINISH	DRAWN BY 23 SEPT 02	DATE
	MATERIAL			CHECKED BY	DATE
TITLE YC156 AMP FWD, REF RF DETECTORS				DWG SZ A	SHEET 1 OF 1
				DRAWING NUMBER CATHODE BOARD 1	REV SCH.DWG

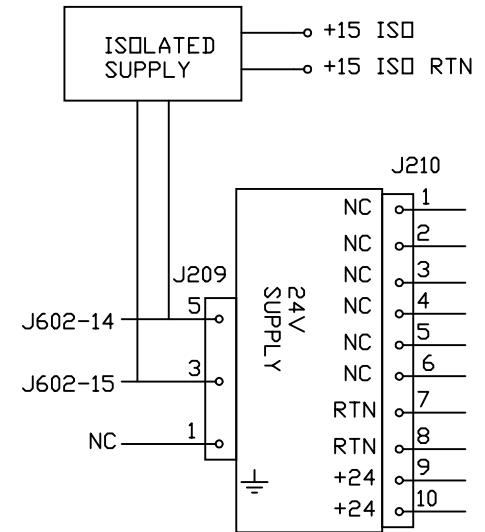
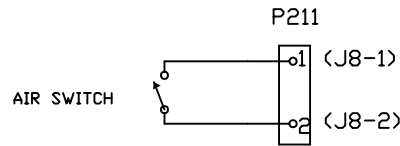
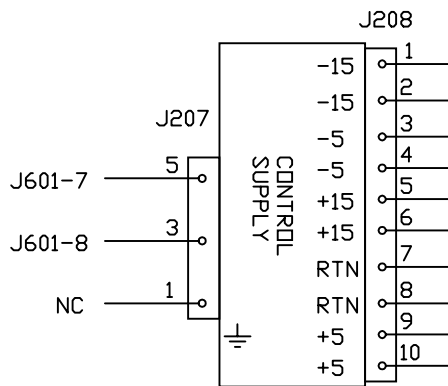
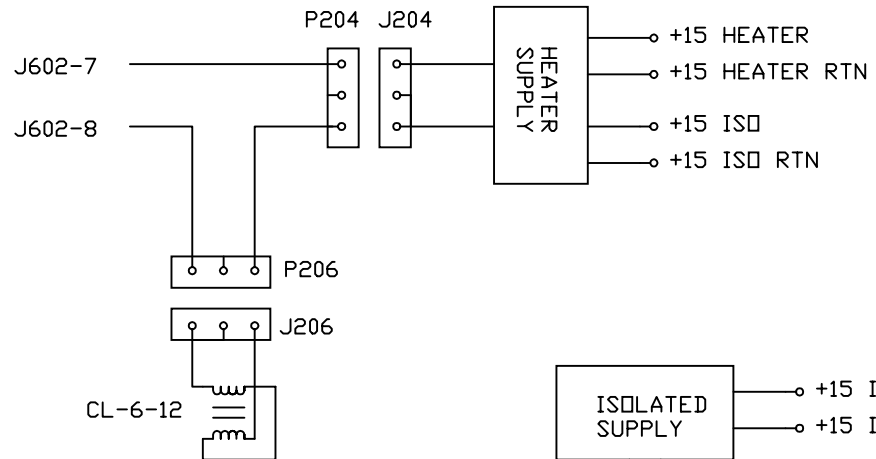
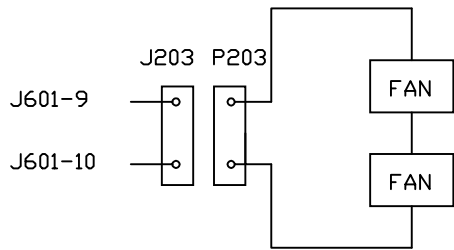
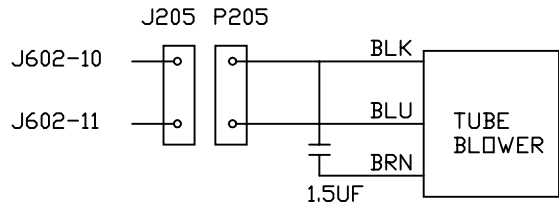
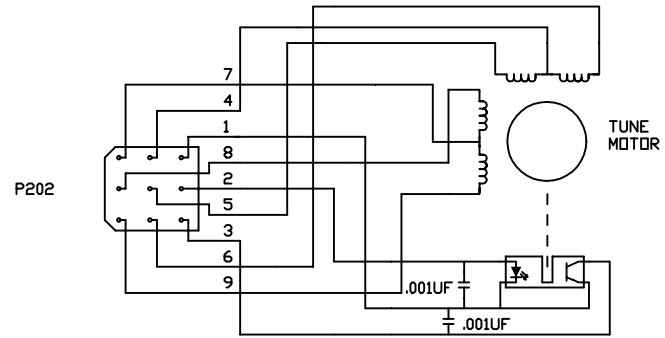


TOLERANCES	SCALE 1-1	DO NOT SCALE	FINISH	DRAWN BY	DATE
	MATERIAL			30	JAN 02
TITLE				CHECKED BY	DATE
YC156 AMP PLATE, HEATER METERING					
DWG SZ	SHEET	DRAWING NUMBER	REV		
A	1 OF 1	CATHODE BOARD 3	SCH.DWG		

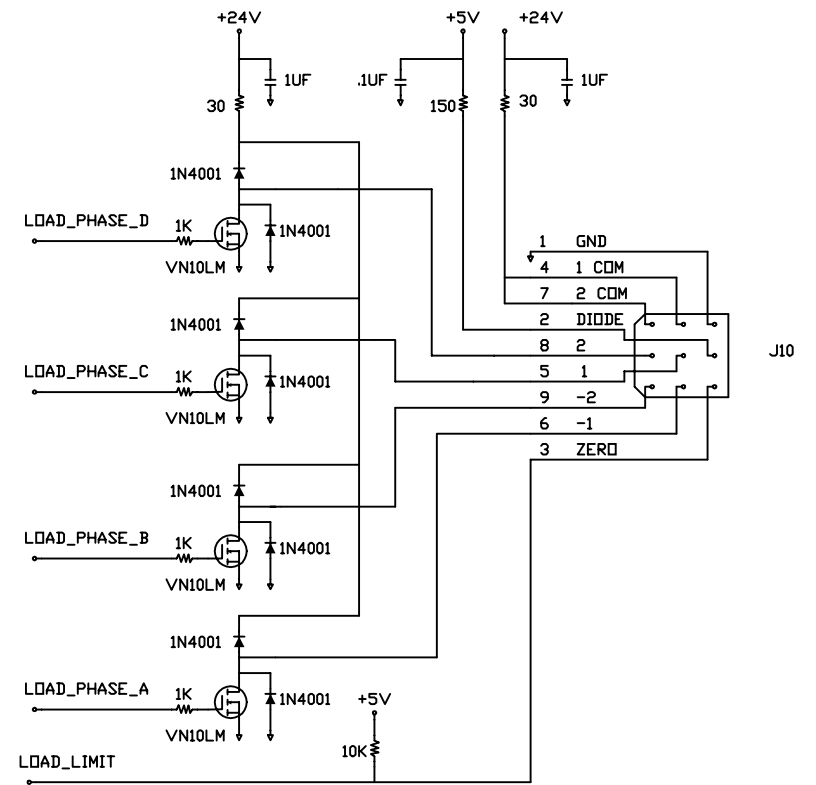
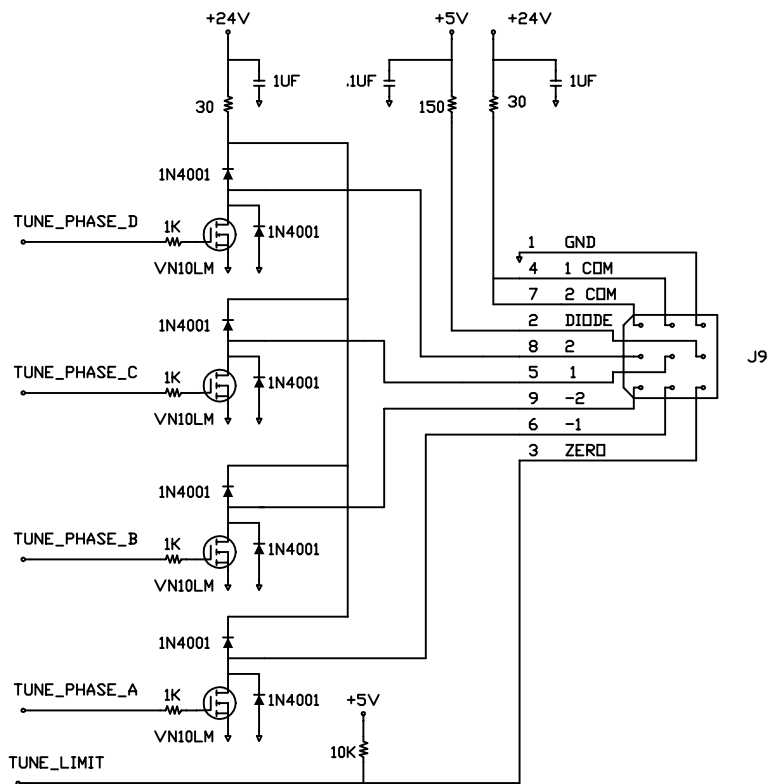
- 1 BRN
- 2 VID
- 3 DRG
- 4 BLK
- 5 RED
- 6 WHT-RED
- 7 WHT
- 8 GRN
- 9 WHT-GRN



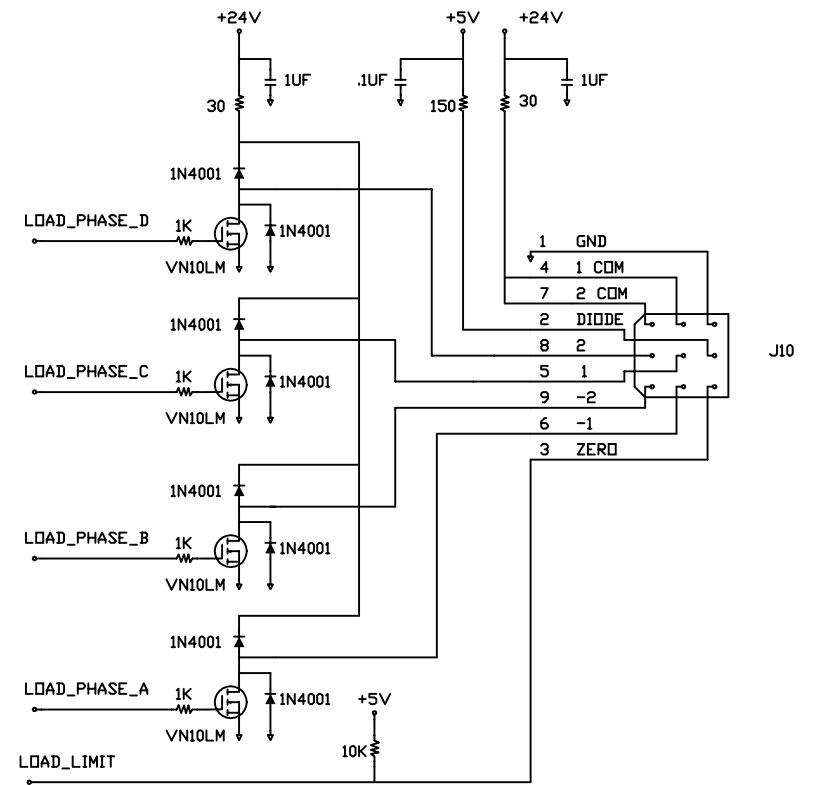
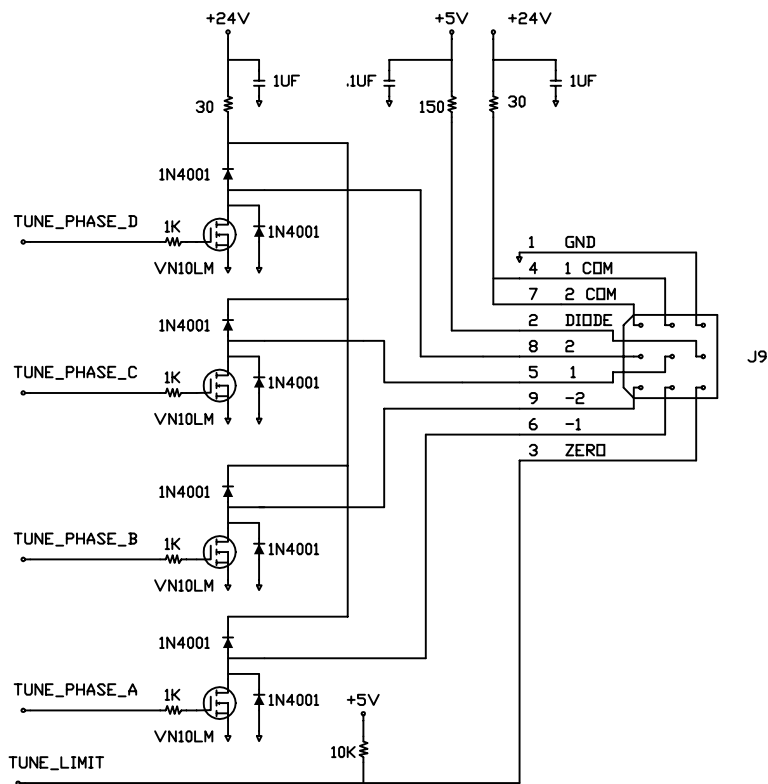
- 1 BRN
- 2 VID
- 3 DRG
- 4 BLK
- 5 RED
- 6 WHT-RED
- 7 WHT
- 8 GRN
- 9 WHT-GRN



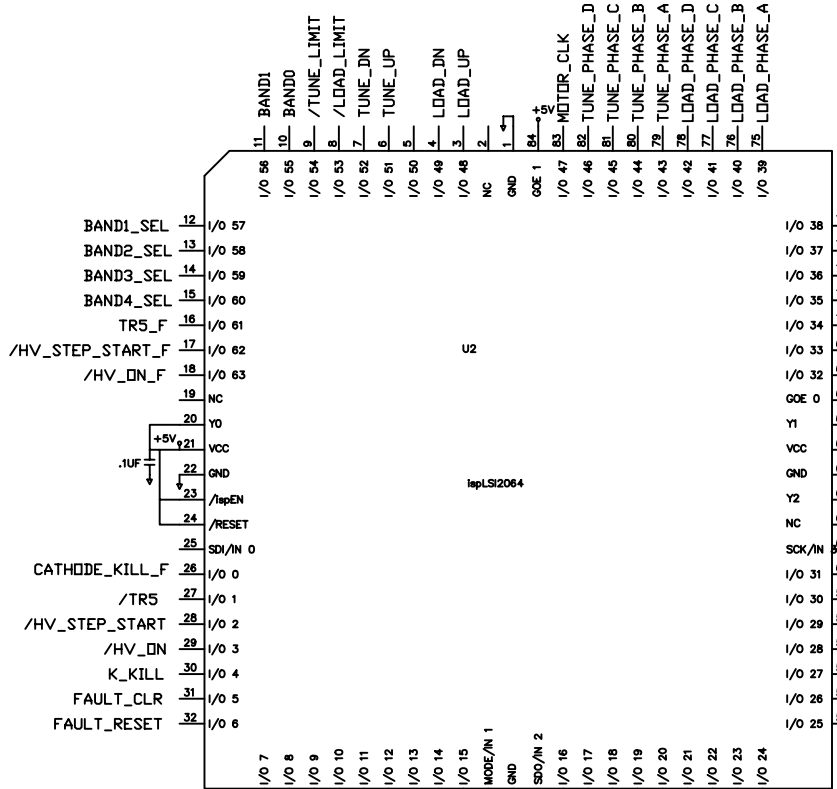
TOLERANCES	SCALE 1-1	DO NOT SCALE	FINISH	DRAWN BY	DATE 12 JAN 02			
	MATERIAL			CHECKED BY	DATE			
TITLE YC156 AMP CHASSIS MOUNTED PARTS				DWG SZ A	SHEET 1 OF 1	DRAWING NUMBER CHASSIS SCH.DWG	REV	



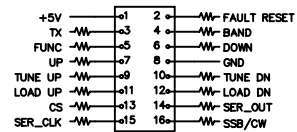
TOLERANCES		SCALE 1-1	DO NOT SCALE	FINISH	DRAWN BY	DATE 10 MAY 01				
		MATERIAL			CHECKED BY	DATE				
TITLE YC156 AMP MOTOR DRIVERS							DWG SZ A	SHEET 1 OF 1	DRAWING NUMBER CONTROL BOARD 3	REV SCH.DWG



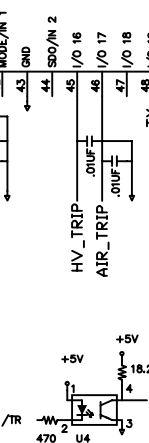
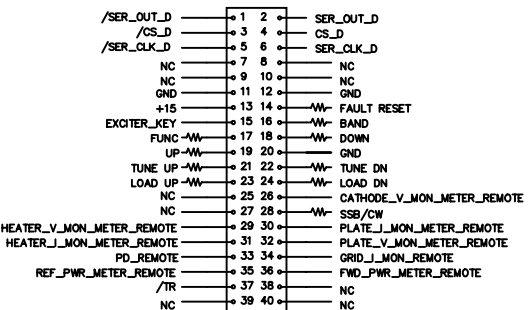
TOLERANCES	SCALE 1-1	DO NOT SCALE	FINISH	DRAWN BY	DATE 10 MAY 01		
	MATERIAL			CHECKED BY	DATE		
TITLE YC156 AMP MOTOR DRIVERS				DWG SZ A	SHEET 1 OF 1	DRAWING NUMBER CONTROL BOARD 3	REV SCH.DWG



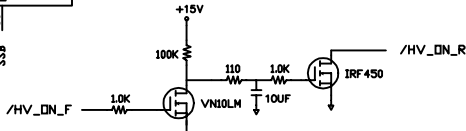
RESISTORS 120 OHM J1 DISPLAY



RESISTORS 120 OHM J4 REMOTE



CATHODE_V_MON_METER_REMOTE 3.92K CATHODE_V_MDN

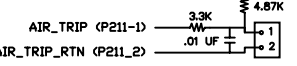


TR5_F 3.3K VNI0LM

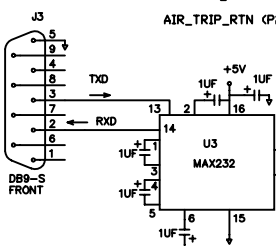
OUT_TANK 3.3K VNI0LM

BAND1_SEL 3.3K VNI0LM

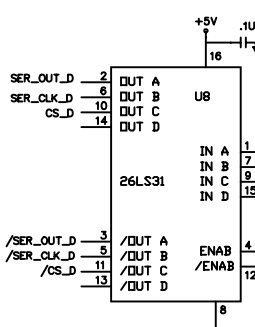
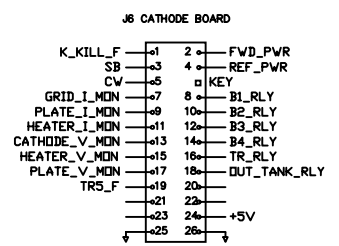
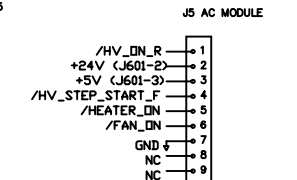
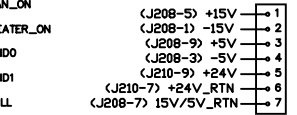
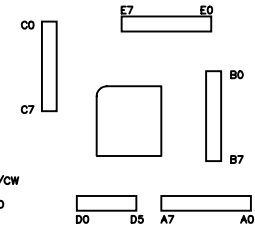
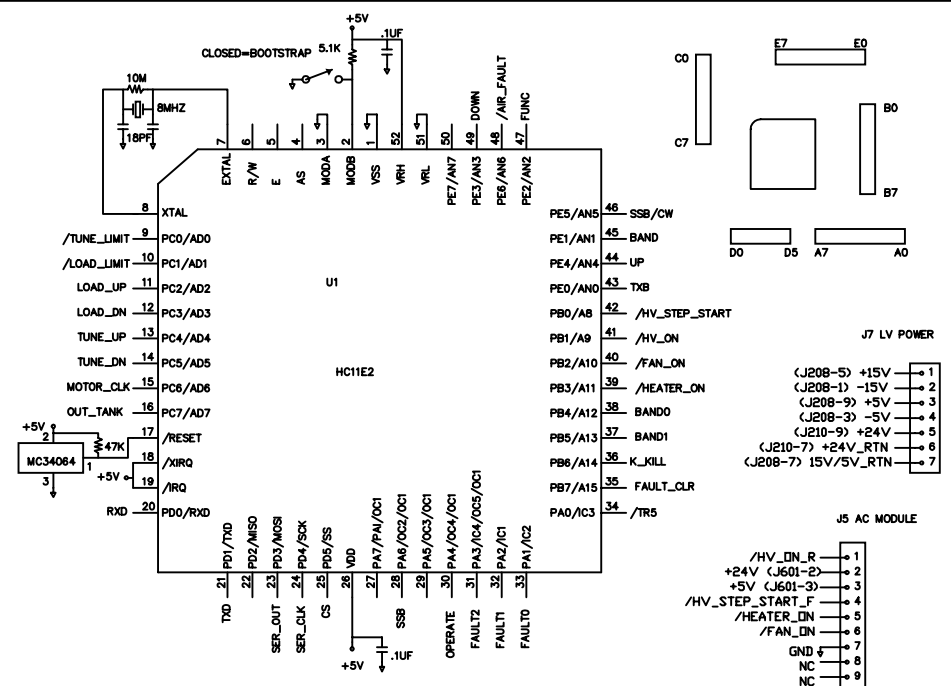
BAND2_SEL 3.3K VNI0LM

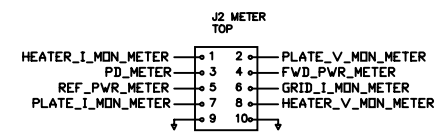
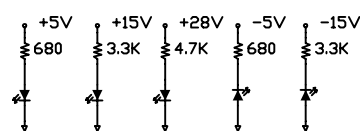
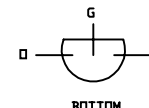
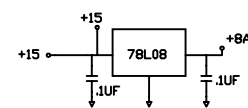
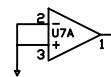
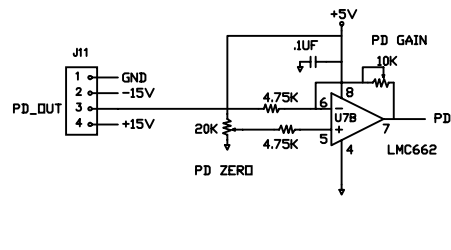
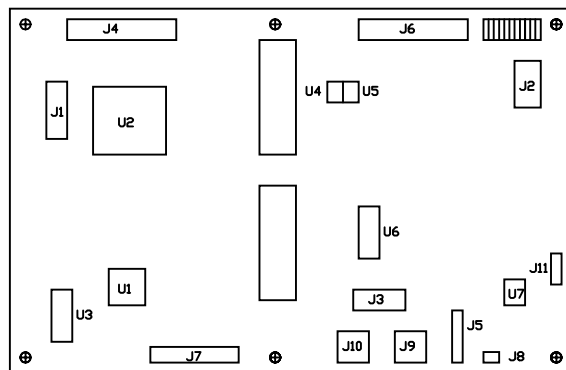
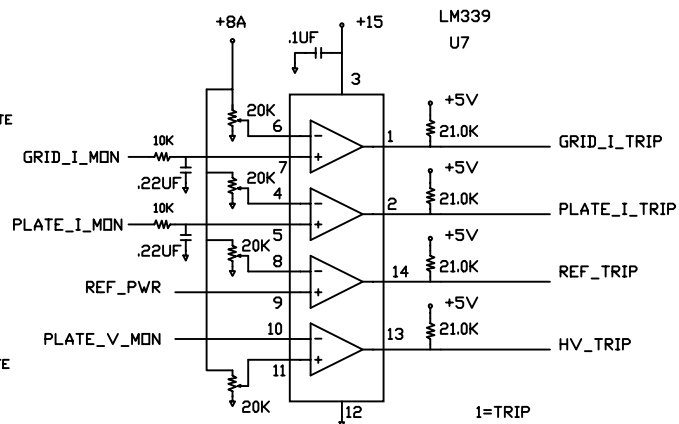
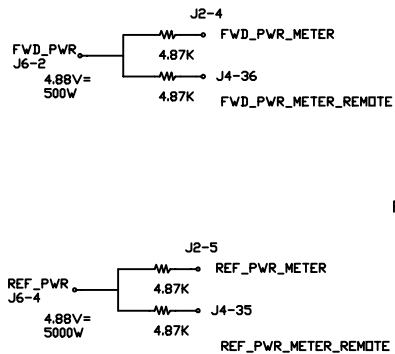
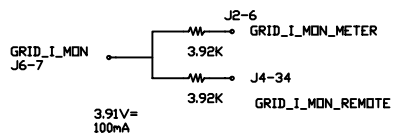
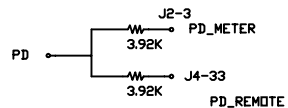
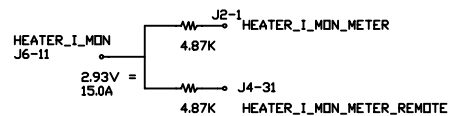
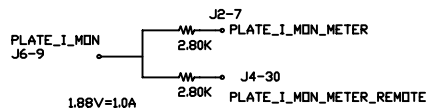
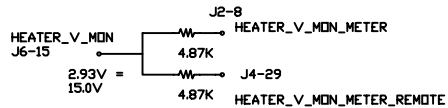
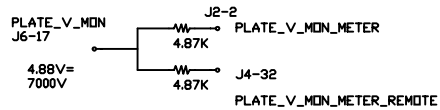


J8 AIR PRESSURE OPEN = NO AIR

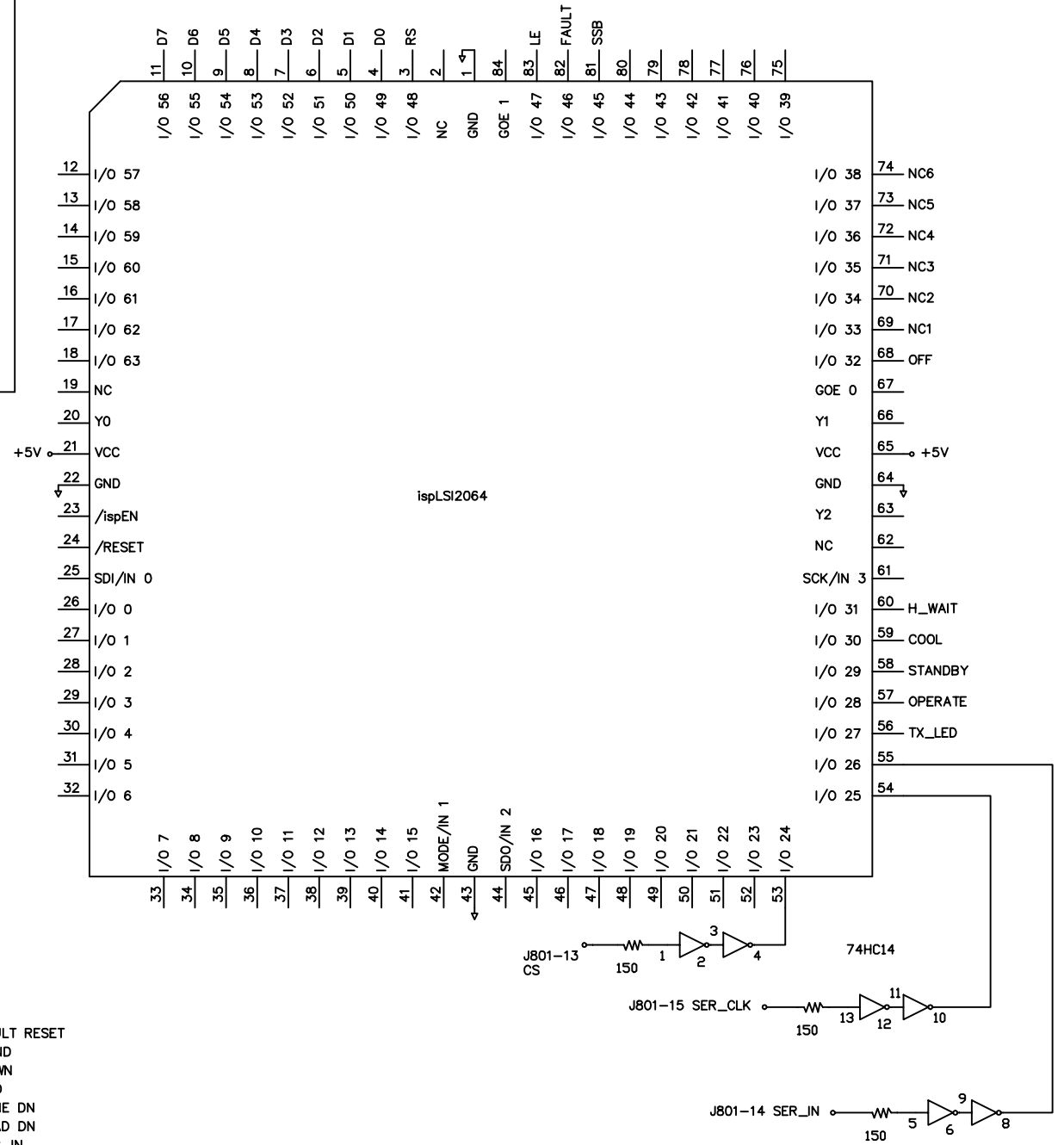
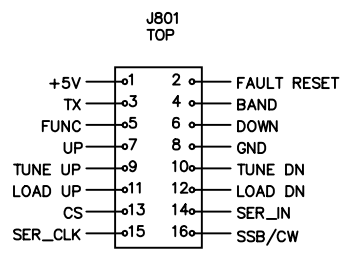
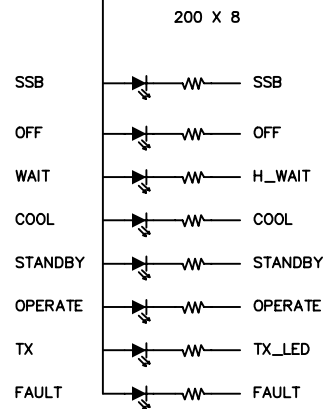
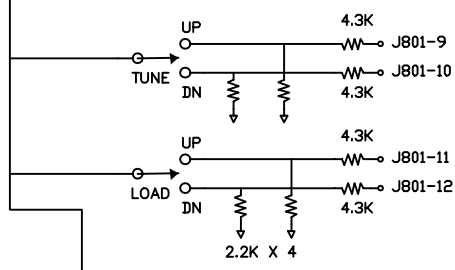
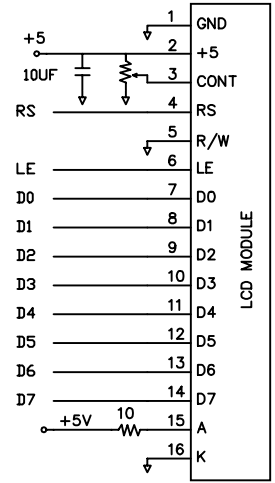
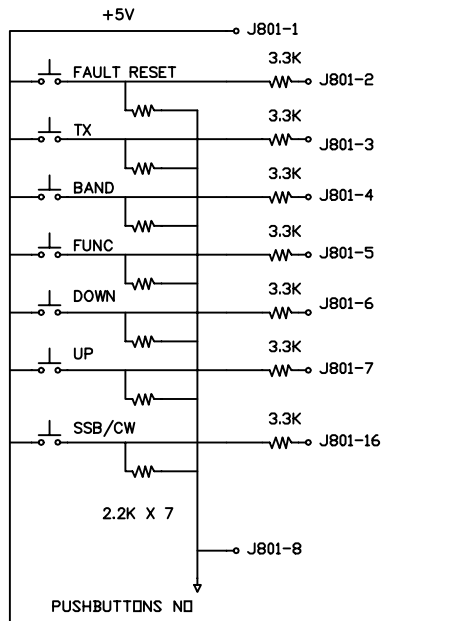


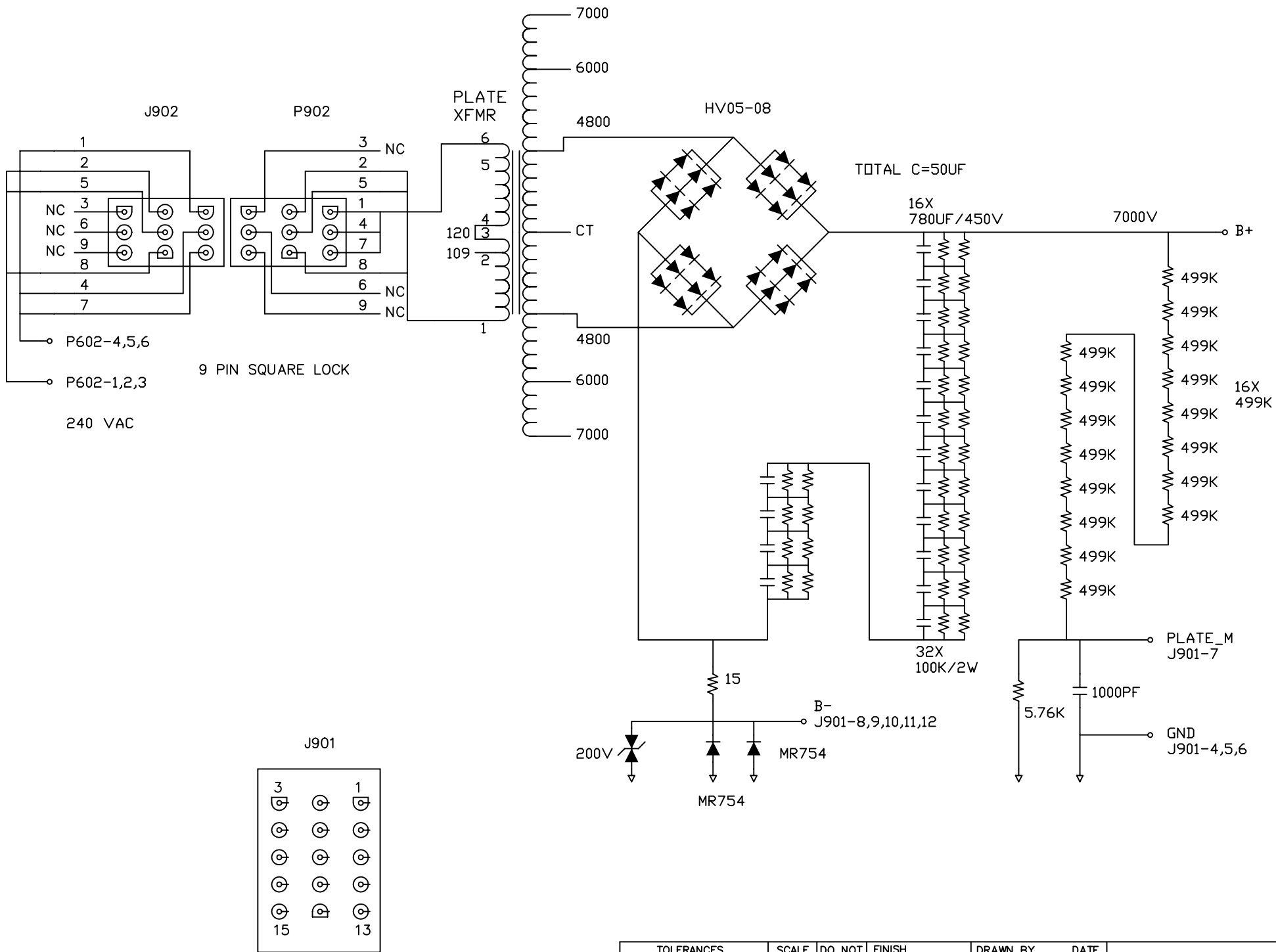
TOLERANCES	SCALE 1-1	DO NOT SCALE	FINISH	DRAWN BY	DATE
	MATERIAL			16	MAY 2002
TITLE				CHECKED BY	DATE
YC156 AMP HC11, CPLD					
DWG SZ	SHEET	DRAWING NUMBER	REV		
A	1 OF 1	CONTROL BOARD 1 SCH.DWG			





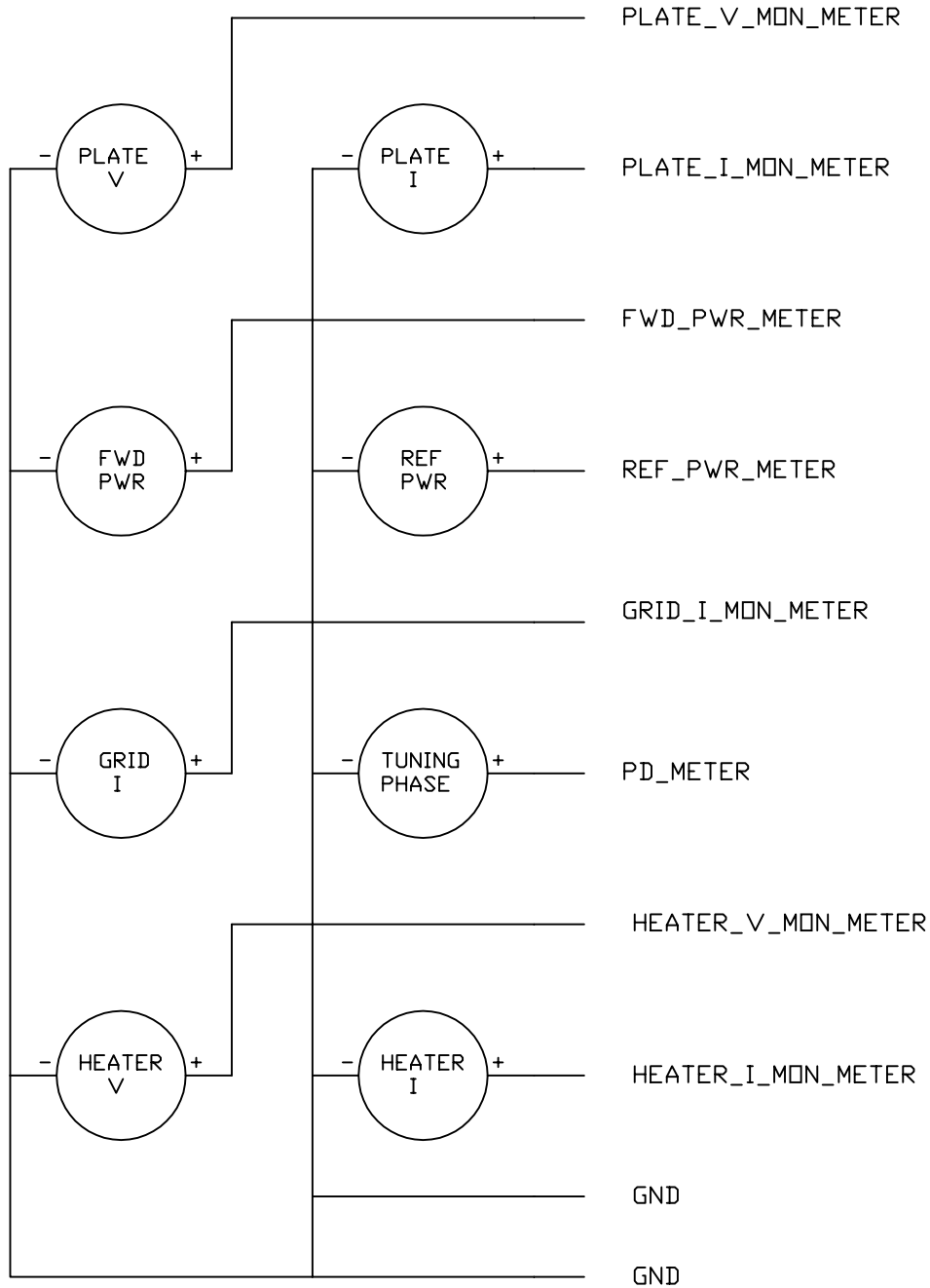
TOLERANCES	SCALE 1-1	DO NOT SCALE	FINISH	DRAWN BY DATE 16 MAY 02	
	MATERIAL			CHECKED BY DATE	
TITLE YC156 AMP ANALOG FAULT, METERING				DWG SZ A	SHEET 1 OF 1
				DRAWING NUMBER CONTROL BOARD 2 SQH.DWG	REV





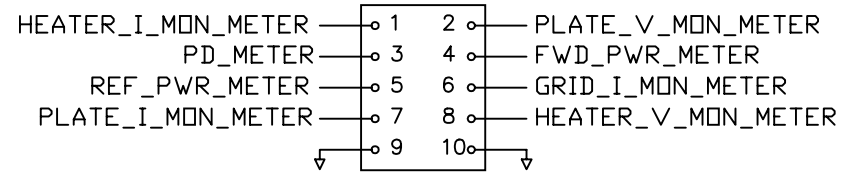
15 PIN SQUARE LOCK

TOLERANCES	SCALE 1-1	DO NOT SCALE	FINISH	DRAWN BY 25 AUG 01	DATE
	MATERIAL			CHECKED BY	DATE
TITLE YC156 AMP HVPS MODULE				DWG SZ A	SHEET 1 OF 1
				DRAWING NUMBER HVPS MODULE SCH.DWG	REV

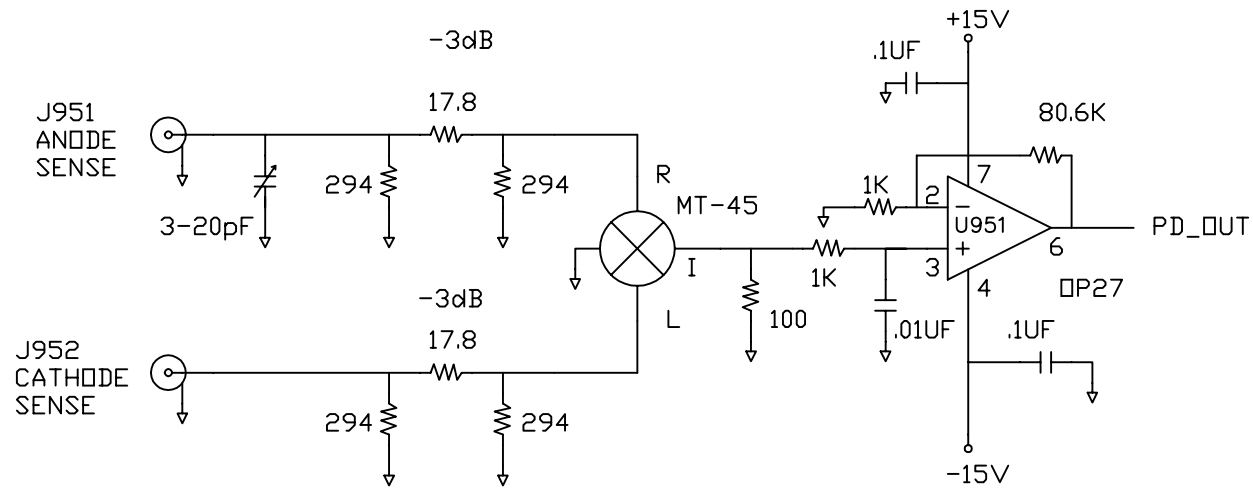


METERS 1mA FS

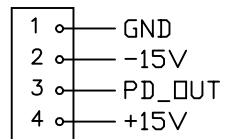
J701
TOP



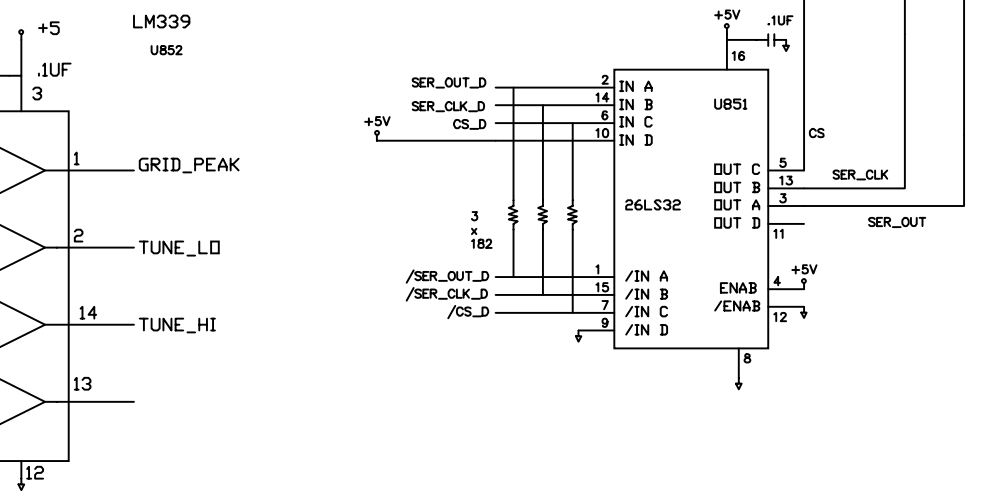
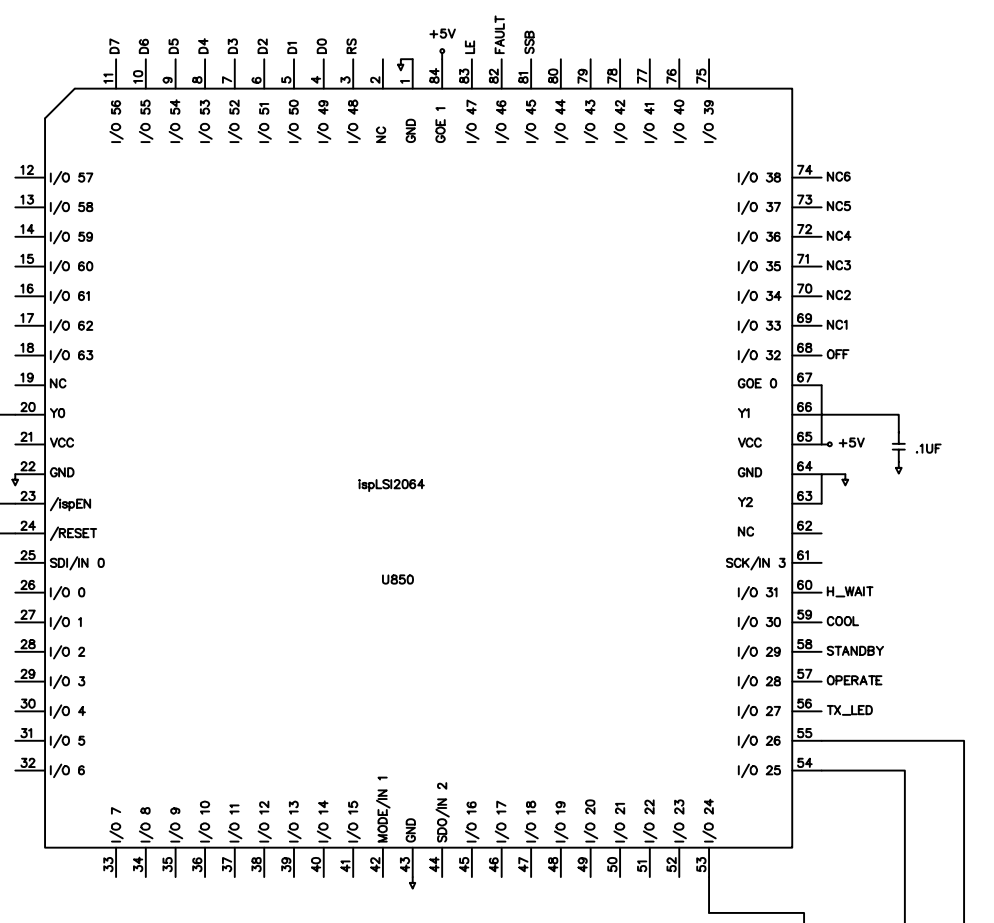
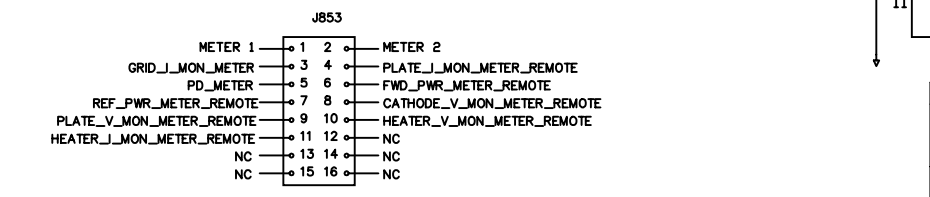
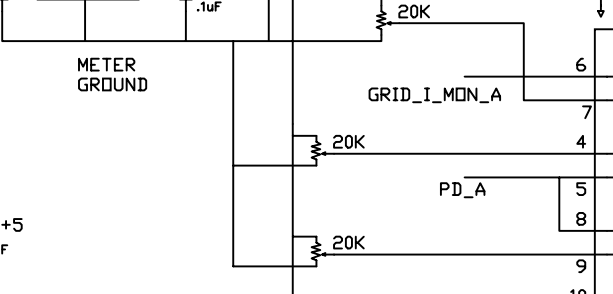
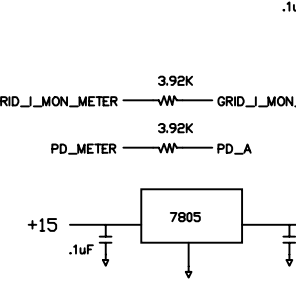
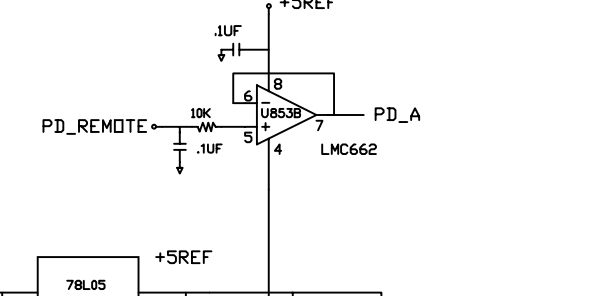
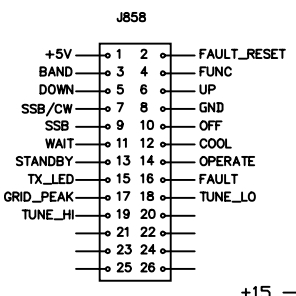
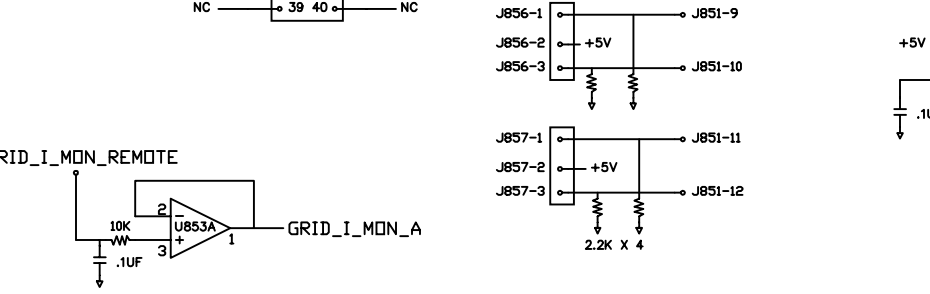
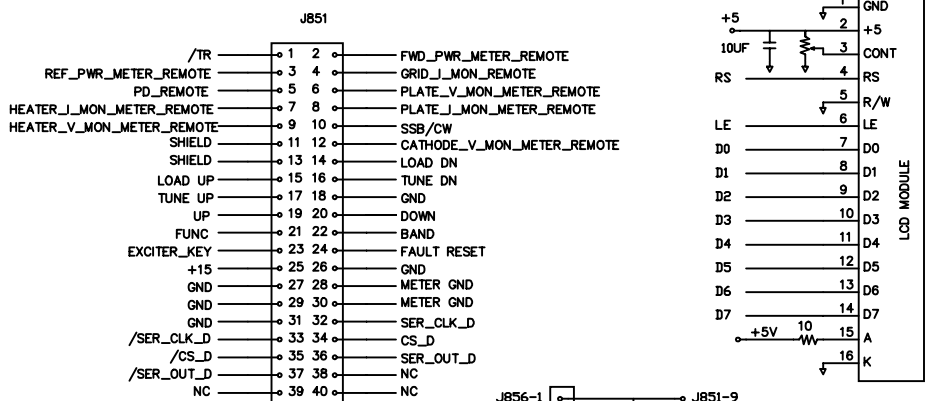
TOLERANCES		SCALE 1-1	DO NOT SCALE	FINISH	DRAWN BY	DATE				
		MATERIAL			15 DEC 01					
					CHECKED BY	DATE				
TITLE YC156 AMP METER BOARD							DWG SZ A	SHEET 1 OF 1	DRAWING NUMBER YC METER BOARD SCH	REV DWG



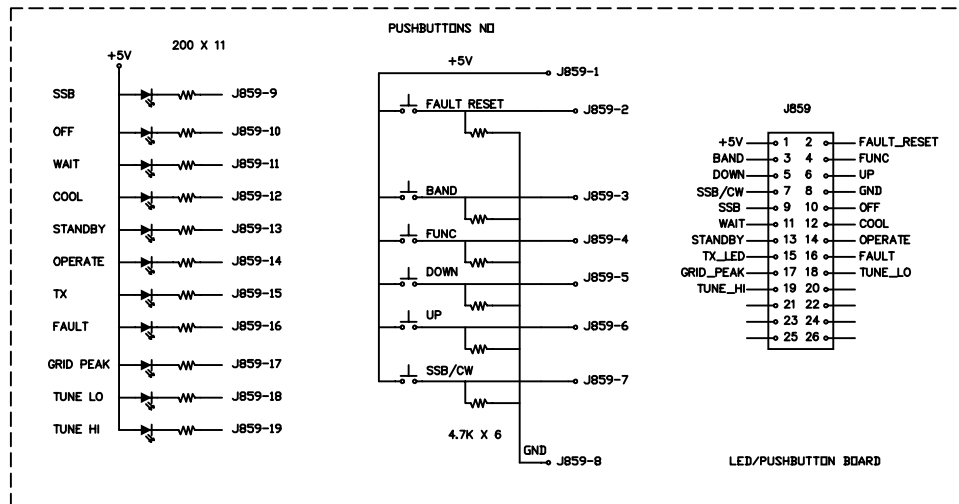
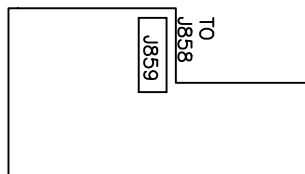
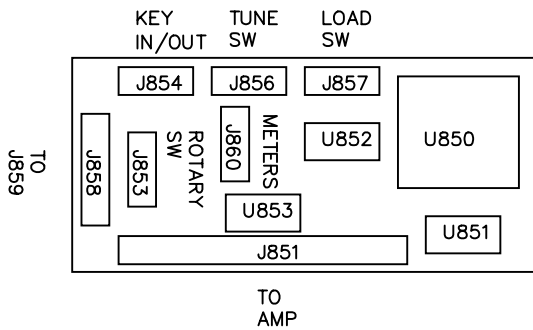
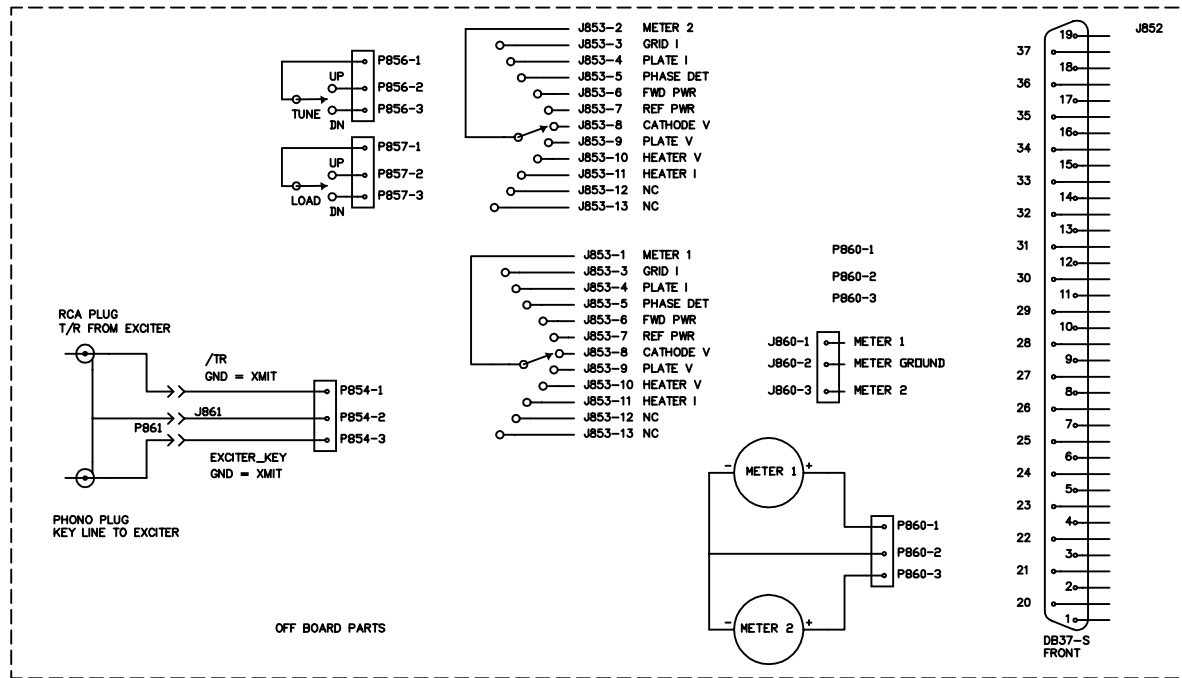
P951



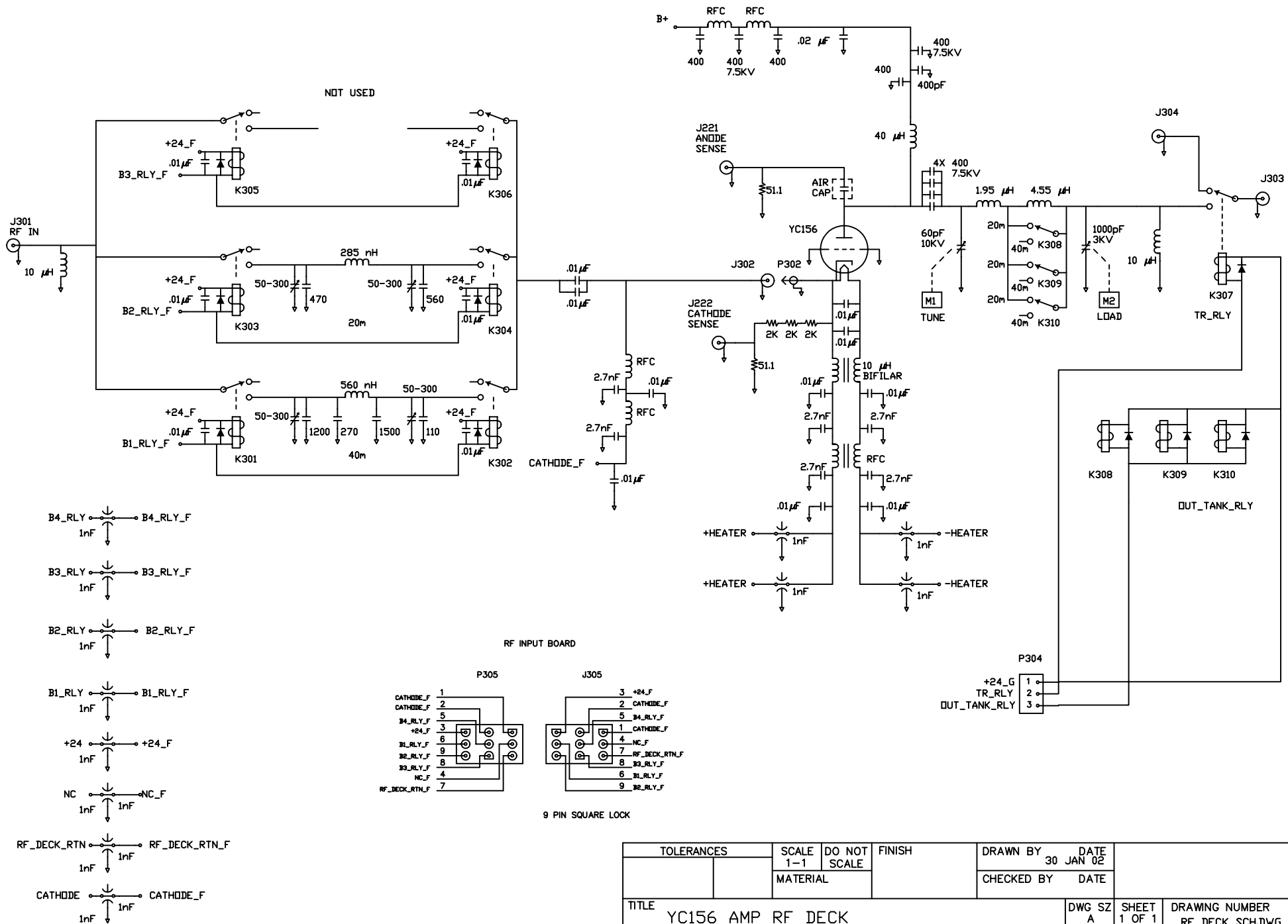
TOLERANCES	SCALE 1-1	DO NOT SCALE	FINISH	DRAWN BY	DATE 19 JAN 02
	MATERIAL			CHECKED BY	DATE
TITLE PHASE DETECTOR MODULE				DWG SZ A	SHEET 1 OF 1
				DRAWING NUMBER	REV PHASE DETECTOR SCH.DWG



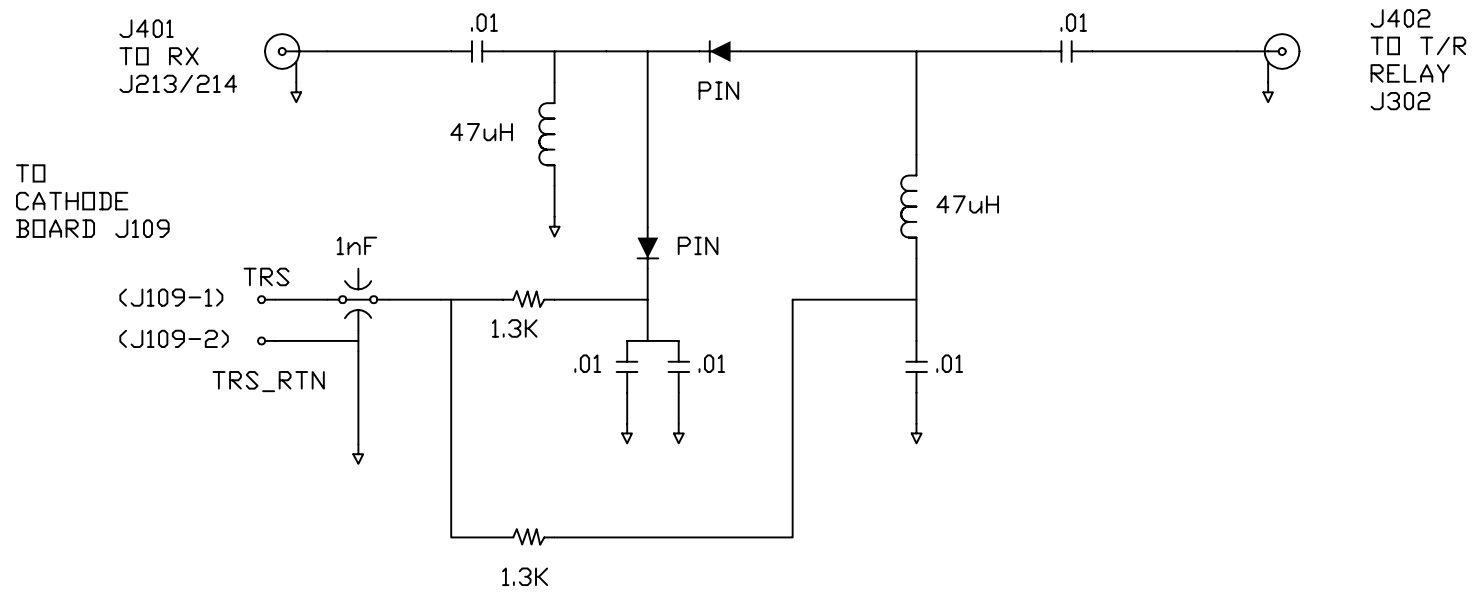
TOLERANCES	SCALE 1-1	DO NOT SCALE	FINISH	DRAWN BY 16 MAY 02	DATE
	MATERIAL			CHECKED BY	DATE
TITLE YC156 AMP REMOTE BOX				DWG SZ A	SHEET 1 OF 1
				DRAWING NUMBER REMOTE BOX SCH.DWG	REV



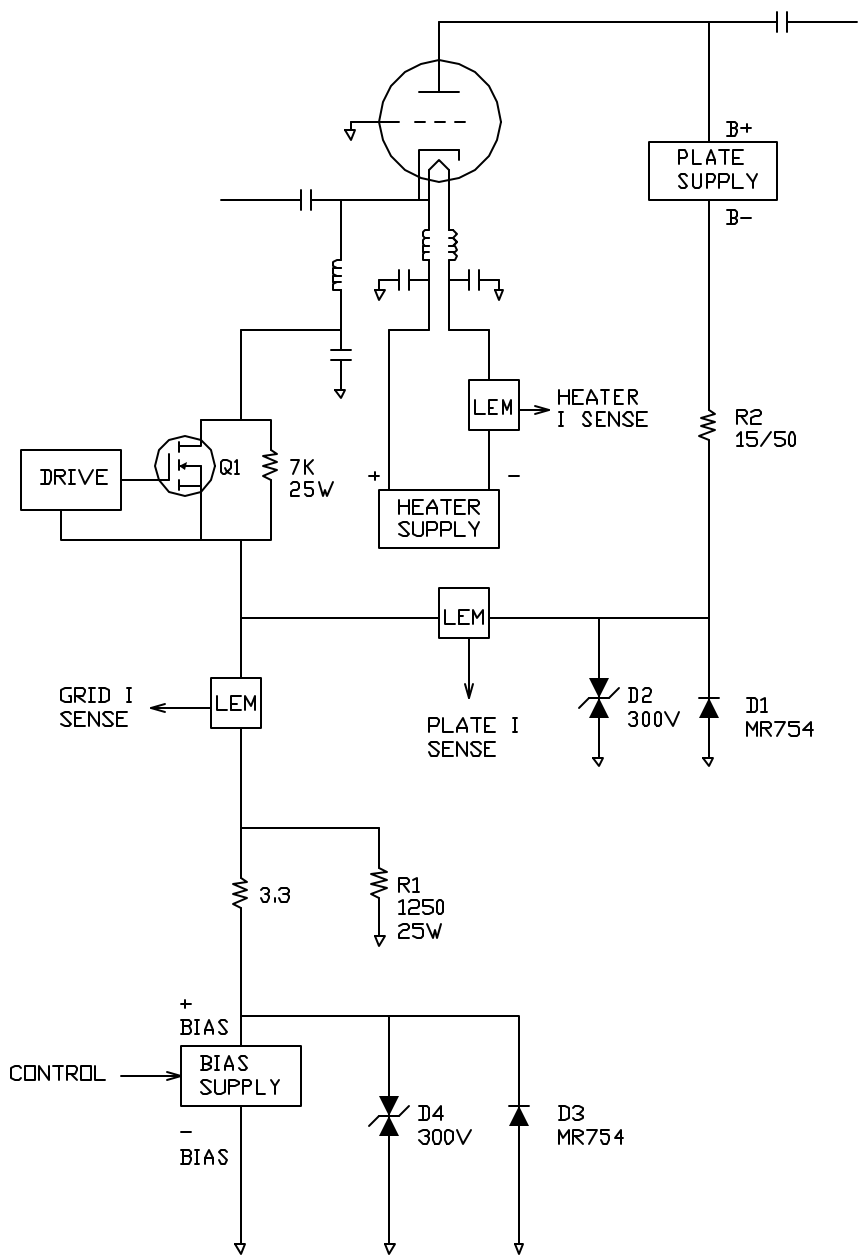
TOLERANCES	SCALE 1-1	DO NOT SCALE	FINISH	DRAWN BY DATE 16 MAY 02	
	MATERIAL			CHECKED BY DATE	
TITLE YC156 AMP REMOTE BOX				DWG SZ A	SHEET 1 OF 1
				DRAWING NUMBER REMOTE BOX SCH2.DWG	REV



TOLERANCES	SCALE	DO NOT	FINISH	DRAWN BY	DATE				
	1-1	SCALE			30 JAN 02				
	MATERIAL			CHECKED BY	DATE				
TITLE YC156 AMP RF DECK						DWG SZ	SHEET	DRAWING NUMBER	REV
						A	1 OF 1	RF DECK SCH.DWG	



TOLERANCES		SCALE 1-1	DO NOT SCALE	FINISH	DRAWN BY 19 JAN 02	DATE				
		MATERIAL			CHECKED BY	DATE				
TITLE YC156 AMP T/R MODULE							DWG SZ A	SHEET 1 OF 1	DRAWING NUMBER TR MODULE SCH.DWG	REV



R2 LIMITS CURRENT FROM PLATE SUPPLY IN EVENT OF TUBE ARC OR OTHER PLATE CIRCUIT FAULT.

D1 PREVENTS TUBE CATHODE FROM SPIKING NEGATIVE IF TUBE ARCS FROM PLATE TO GRID.

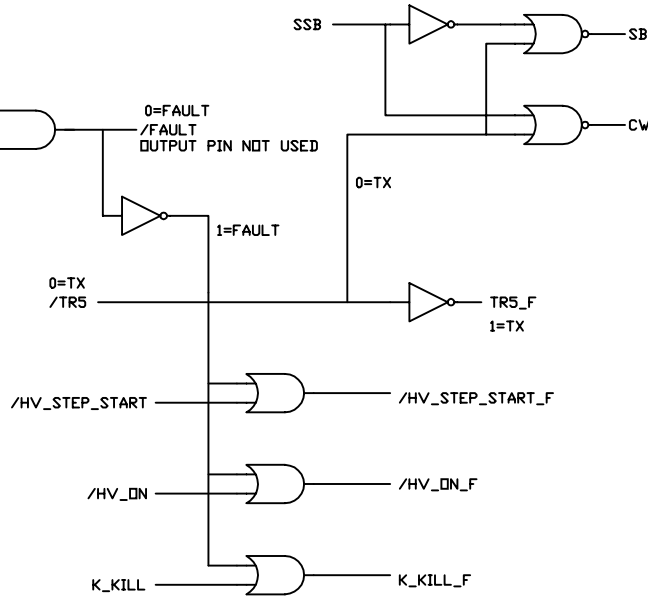
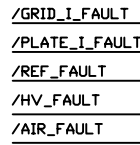
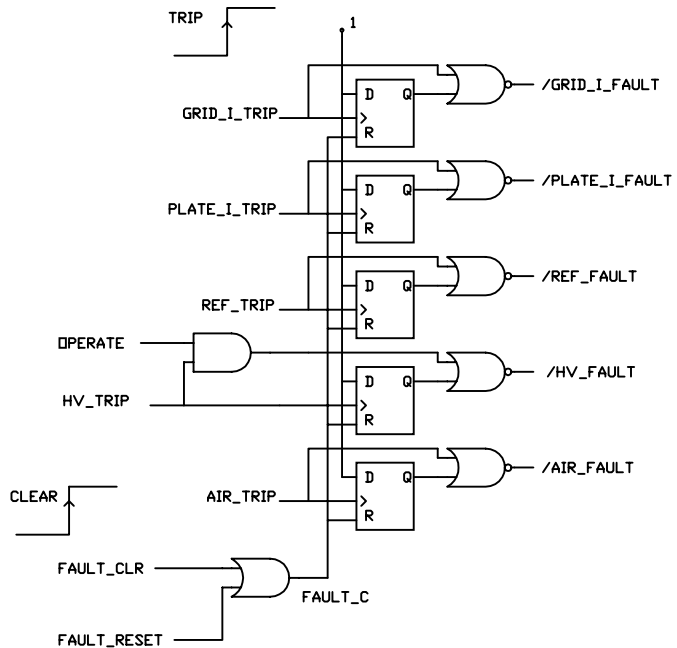
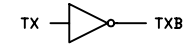
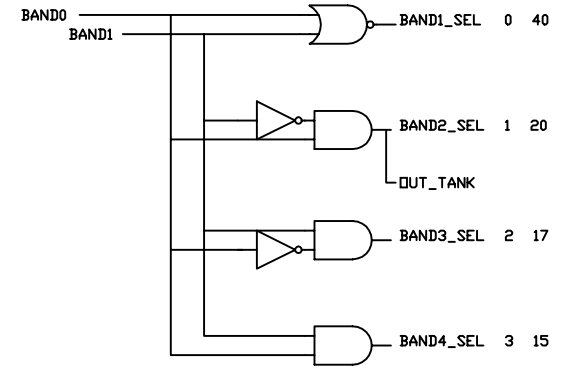
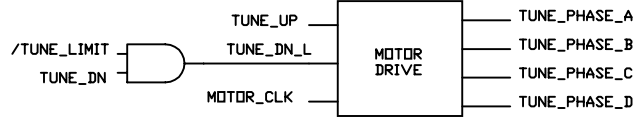
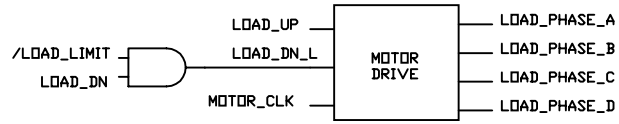
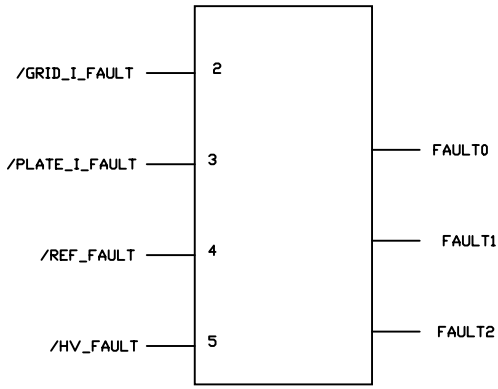
D3 AND D4 PROTECT BIAS SUPPLY FROM POSITIVE AND NEGATIVE TRANSIENTS.

EXCESSIVE GRID OR CATHODE CURRENT OPENS Q1

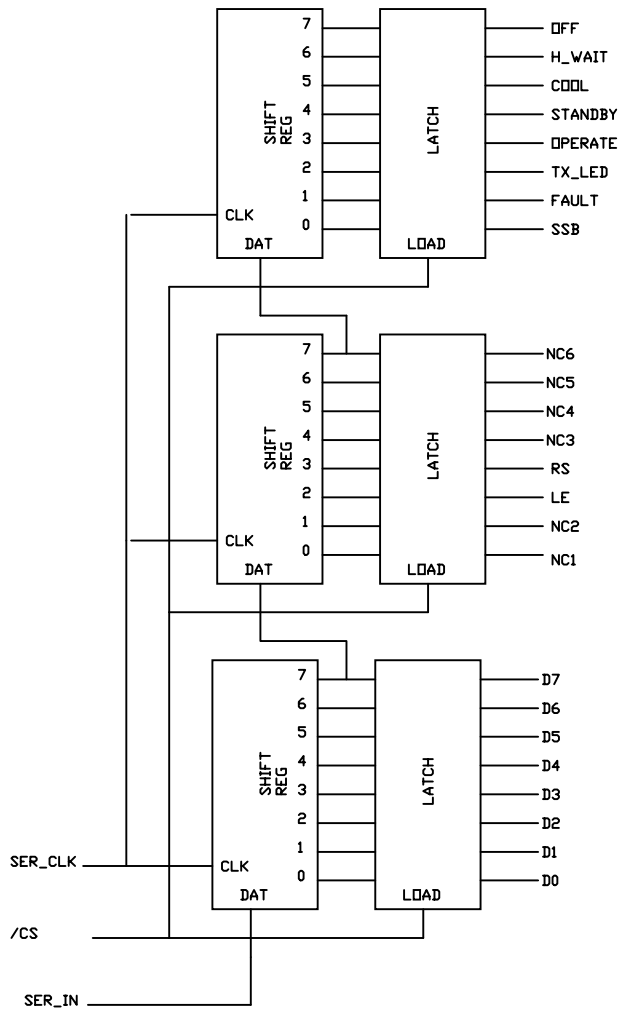
TOLERANCES	SCALE 1-1	DO NOT SCALE	FINISH	DRAWN BY 6 AUG 03	DATE
	MATERIAL			CHECKED BY	DATE
TITLE YC156 AMP TUBE/BIAS BLOCK				DWG SZ A	SHEET 1 QF 1
				DRAWING NUMBER TUBE BLKJVG	REV

NO FAULT = 1
 MULTIPLE FAULTS = 0

ALL FAULTS EXCEPT
 AIR VALID ONLY
 IN OPERATE



TOLERANCES		SCALE	DO NOT	FINISH	DRAWN BY	DATE			
		1-1	SCALE		23 NOV 01				
		MATERIAL			CHECKED BY	DATE			
TITLE YC156 AMP CPLD						DWG SZ	SHEET	DRAWING NUMBER	REV
						A	1 OF 1	YC CPLD1.DWG	



TOLERANCES		SCALE 1-1	DO NOT SCALE	FINISH	DRAWN BY	DATE 06 MAY 01				
		MATERIAL			CHECKED BY	DATE				
TITLE DISPLAY BOARD CPLD							DWG SZ A	SHEET 1 OF 1	DRAWING NUMBER YC DISP CPLD.DWG	REV